

Shielded CHAMP Right Angle PCB Connectors (Continued)

Preassembled Bail Lock

Material and Finish

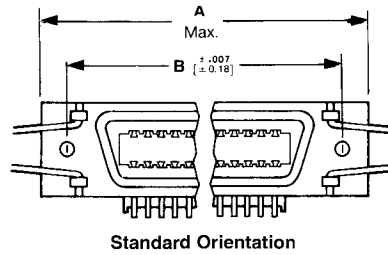
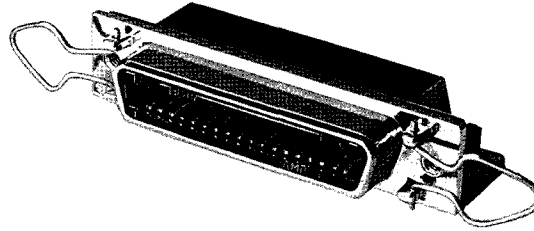
Housing, Bracket Adaptor Comb and Terminal Support Plate — Polyester, black

Bail-Clip — Passivated stainless steel

Receptacle Shield — Bright nickel over copper plated die casting

Terminals — Selectively plated gold over nickel plated high strength copper alloy, tin plated tails

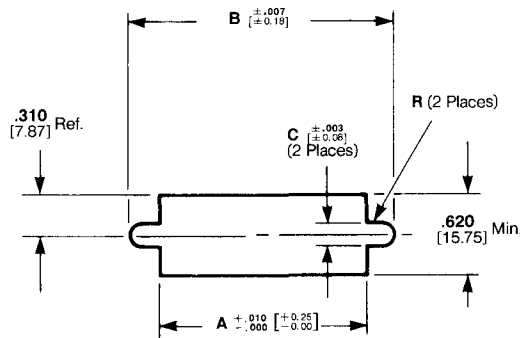
Ground Bracket — Zinc plated carbon steel



| No. of Positions | Preassembled Shielded Bail Lock | | | Part Number Standard |
|------------------|---------------------------------|----------------|------------|----------------------|
| | Dimensions | | Screw Size | |
| | A | B | | |
| 36 | 2.710 68.83 | 2.352 59.74 | 4-40 | 555233-1 |
| 50 | 3.305 83.95 | 2.946 74.83 | 4-40 | 554901-11 |

¹ SCSI applicable

Recommended Panel Mount Cutout (Rear Panel Mounting Only)



| No. of Positions | Preassembled Shielded Bail Lock | | |
|------------------|---------------------------------|----------------|--------------|
| | Dimensions | | |
| | A | B | C |
| 36 | 2.316 58.83 | 2.478 62.94 | .126 3.20 |
| 50 | 2.910 73.91 | 3.072 78.03 | .126 3.20 |

Panel Thickness Range: 0.62 [1.57] Max., Preassembled Connectors

CHAMP .085 Centerline
Miniature Ribbon Connector Systems

